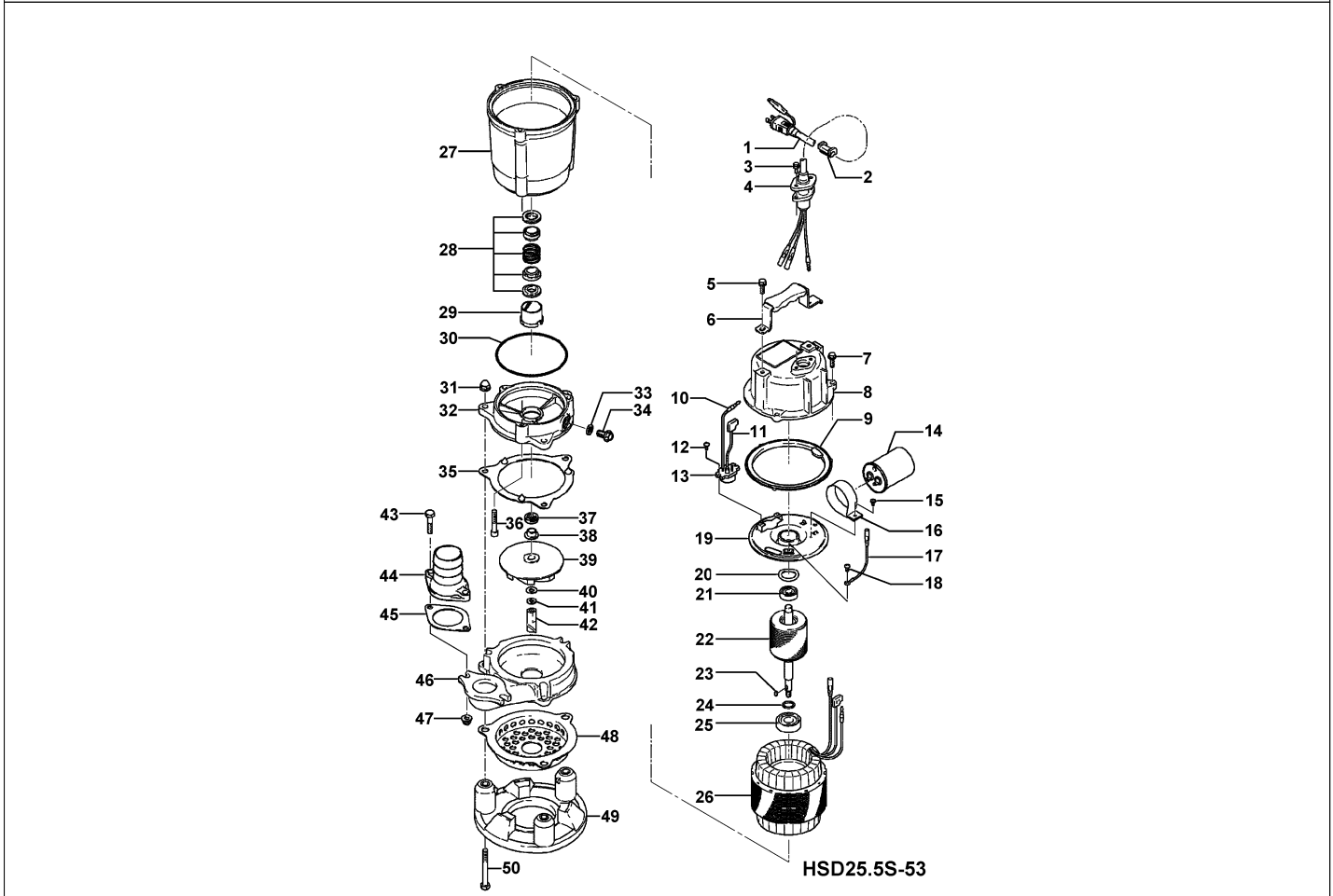


HSD2.55S-53

Kontroll-Nr. --

2020-01-09 V.01.02.2019

Pos.no	Item no.	Description	Quant.	UP
--------	----------	-------------	--------	----



Pos.no	Item no.	Description	Quant.	UP
	HSD2.55S-53			
1	173-550-12	Packing & O-Ring Set	1	
	001-009-48	Cabletyre Cable Set (10m) 220/230/240V-50HZ(EUR) H07R-F3Cx1mm2 LBD(HAR)	1	
	061-TEG-05	Cable Repair Kit	1	
2	010-134-18	Cable Clip Rubber HS3-4 NBR	1	
3	140-427-17	Hex.Bolt (w/Plain Washer) M5x15 SUS304 (EN X5CrNi18-10)	2	
4	003-190-10	Gland SUS316 (EN X5CrNi-Mo17-12-2)	1	
5	140-451-10	Hex. Bolt (w/plain washer) M6x16 SUS304 (EN X5CrNi18-10) Stainless Steel	2	
6	068-259-19	Handle HS-Series	1	
7	140-396-16	Hex.Bolt (w/Plain Washer) M6x20 SUS304 (EN X5CrNi18-10) Stainless Steel	3	
8	051-000-21	Motor Head Cover ADC	1	
9	121-546-14	Packing d120xd142x6.2t NBR	1	
10	009-001-03	Intermediate Lead Wire AWG16x160(red)	1	
11	009-001-42	Intermediate Lead Wire AWG16x80(Indico)	1	
12	143-000-43	Truss Screw M4x8 SWRM	1	
13	053-002-13	Motor Protector 220/230/240V-50Hz(EUR) KA112-LYVL22A (T.C)	1	
14	076-000-53	Capacitor 220/230/240V-50Hz(EUR) 10MF-450VAC(d40x70L)	1	
15	143-085-21	Pan Screw (w/Spring Washer) M4x6 SWRM	1	
16	127-000-99	Capacitor Fixing Plate 220/230/240V-50Hz d51(1.0t) SPC	1	
17	009-001-47	Earth Terminal UL1015-AWG16x150	1	
18	143-203-14	Pan Screw M4x5	1	Price on req.
19	050-000-61	Motor Bracket SECD	1	
20	142-192-16	Wave Washer 6201(D=32,t=0.4) SK5	1	
21	052-100-15	Bearing 6201ZZC3	1	
22	055-003-00	Rotor w/Bearing	1	
23	056-004-03	Stator 220/230/240V-50HZ w/Frame	1	
24	061-180-17	Bearing Collar d15.1xd20x1.6t SS	1	
25	052-152-12	Bearing 6302ZZC3	1	
26	056-008-38	Stator 220/230/240V-50Hz(EUR)	1	
27	064-001-28	Motor Frame BLUE ADC	1	
28	025-000-81	Mechanical Seal W-14VCA SiC	1	
29	030-000-09	Oil Lifter W-14VL Resin	1	
30	122-133-17	O-Ring G-110 NBR	1	
31	141-144-10	Flanged Hex. Nut M8 SUS304 (EN X5CrNi18-10) Stainless Steel	3	
32	029-000-58	Oil Casinq HS2.4(S)-51/61 FC	1	
33	121-246-11	Packing (Oil Plug) d10.3xd16x2t PE	1	
34	035-125-13	Oil Plug M10x20(B=13) SUS304 (EN X5CrNi18-10) Stainless Steel	1	
35	121-000-20	Packing HS-4E NR	1	
36	140-256-13	Hex.Socket Cap Bolt M6x35 SUS304 (EN X5CrNi18-10)	3	
37	122-441-11	V-Ring VR-14 NBR	1	
38	071-292-14	Shaft Sleeve LB3-250/480 SUS304 (EN X5CrNi18-10) Stainless Steel	1	

HSD2.55S-53

Kontroll-Nr. --

2020-01-09 V.01.02.2019

Pos.no	Item no.	Description	Quant.	UP
39	021-009-68	Impeller (50HZ) HSD2.55S-52 HICRFC	1	
40	032-000-67	Hose Coupling 50mm(LB2-480) ADC	1	
41	142-163-18	Spring Washer M8 SUS304	1	
42	024-000-02	Stirrer M8x40 HicrFc	1	
43	140-057-12	Hex.Bolt M8x30 SUS304 (EN X5CrNi18-10) Stainless Steel	2	
44	032-000-67	Hose Coupling 50mm(LB2-480) ADC	1	
44	032-432-17	Hose Coupling (for EUR) HS2.4S,45 Deg.,BSPT2(R2) FC	1	
	181-001-18	Hose Band 55mm(d50) SUP	1	
45	121-138-19	Packing (Screwed Flange) LB(P.C.84) NBR	1	
46	020-000-40	Pump Casing HS3-4 (FCD)	1	
47	141-144-10	Flanged Hex. Nut M8 SUS304 (EN X5CrNi18-10) Stainless Steel	2	
48	023-001-66	Strainer HSD2.55S-53/63 SPC	1	
49	023-001-67	Stand HSD2.55S-53/63 PVC	1	
50	140-065-13	Hex.Bolt M8x75 SUS304 (EN X5CrNi18-10)	3	
	173-550-12	Packing & O-Ring Set	1	
	##oilVG32	ml Turbine Oil ISO VG32	160	Price on req.

--	--	--	--	--